

Features:

- Industry 1st white display technology
- Wide viewing angle
- Black face colour, White segment colour
- High segment intensity
- Consistent emission characteristics
- Aesthetically pleasing colour
- Ideal for broad range of applications

Available options:

- Alternative face colour
- Alternative font
- Long terminal pins

Font design

Product not shown
actual size



Electro / Optical Characteristics - I_F W01 = 20 mA W05 = 10 mA $T_a = 25^\circ C$

Part Number Common Cathode	Part Number Common Anode	Emitting Colour	Chromaticity Coordinates		Forward Voltage V_F		Luminous Intensity I_V	
			x	y	typical	max	min	typical
FN1-0311W0100BW	FN1-0312W0100BW	White	0.30	0.30	3.80	4.50	-	5
FN1-0311W0500BW	FN1-0312W0500BW	White	0.30	0.30	3.70	4.00	-	10
Units					V		mcd / seg. (digit average)	

Maximum Ratings $T_a = 25^\circ C$ - Derate above $25^\circ C$

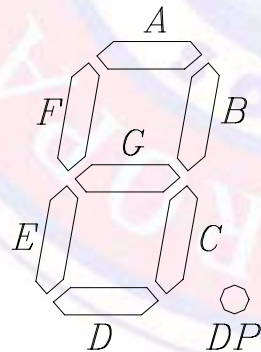
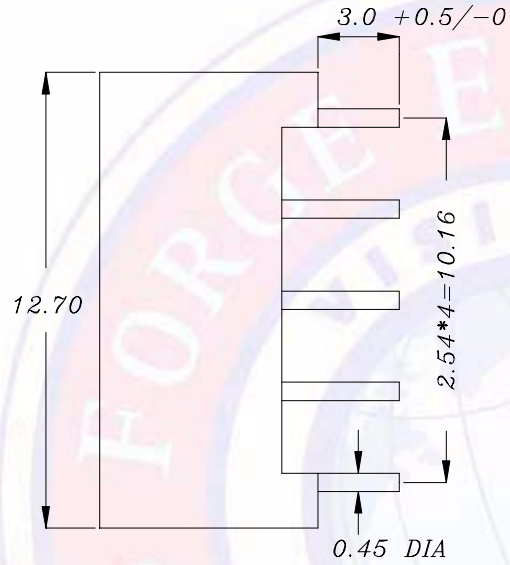
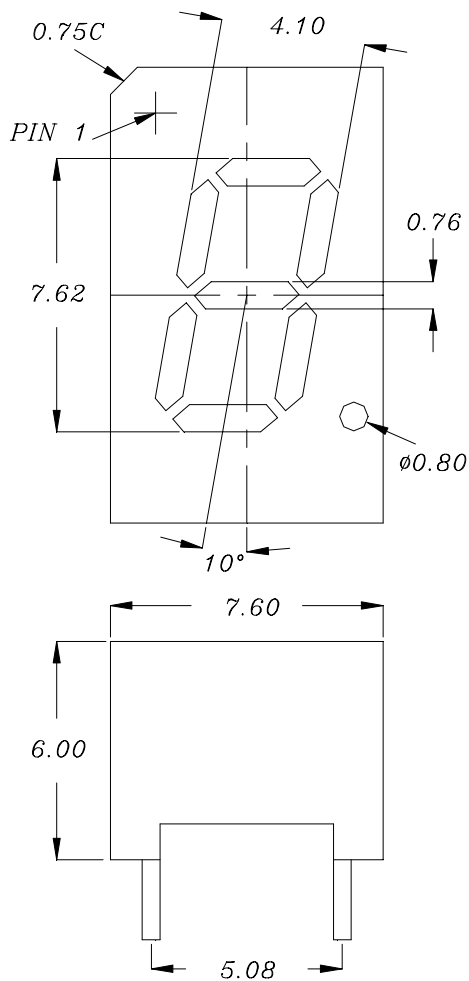
Characteristic	Condition	Symbol	Rating	Units
Pulse Forward Current	0.1 duty cycle @ 1KHz	W01	100	mA
		W05	35	
DC Forward Current		W01	20	mA
		W05	15	
Reverse Voltage	$I_R = 10 \mu A$	V_R	5	V
Operating Temperature		T_{opr}	- 25 to + 80	$^\circ C$
Storage Temperature		T_{stg}	- 30 to + 85	$^\circ C$
Lead soldering temperature	1.6 mm from body - max 3 seconds		260	$^\circ C$

Note

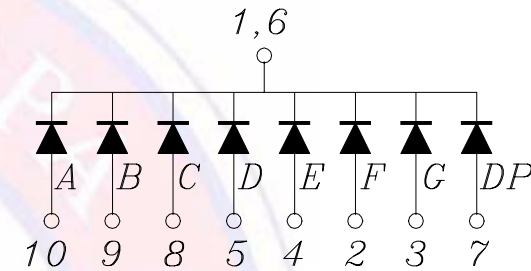
Chromaticity coordinates to
CIE 1931 Standard.

Industry standard procedures
regarding static must be observed
when handling this product.

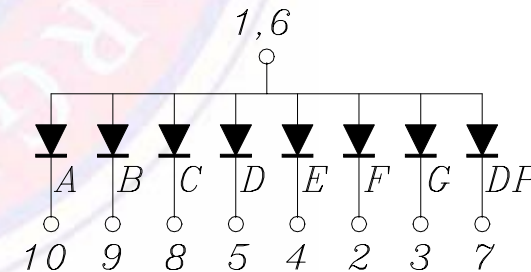
Package Outline



Common Cathode



Common Anode



Tolerance ± 0.25 mm unless stated