

Features:

- BOTTOM DP
- High segment intensity
- Wide viewing angle
- Range of colours
- Grey face colour, White segment colour

Available options:

- Alternative face and segment colour
- Low current version

Font design

Product not shown
actual size



Electro / Optical Characteristics - $I_F = 20 \text{ mA}$ (* HE Blue - $I_F = 10 \text{ mA}$) $T_a = 25^\circ \text{ C}$

Part Number Common Cathode	Part Number Common Anode	Emitting Colour	Wavelength Peak λ_p	Segment Fwd Voltage V_F		Luminous Intensity I_V	
				typical	max	min	typical
FEM-2301L0BGWT1	FEM-2302L0BGWT1	GaAlAs Red	660	7.40	8.00		152
FEM-230130BGWT1	FEM-230230BGWT1	HE Red	640	8.20	10.00		38
FEM-2301Y0530BGWT1	FEM-2302Y0530BGWT1	Yellow	591	8.20	9.60		228
FEM-230120BGWT1	FEM-230220BGWT1	Green	568	8.40	10.00		68
FEM-2301B050BGWT1	FEM-2302B050BGWT1	* HE Blue	465	14.80	16.00		49
FEM-2301B010BGWT1	FEM-2302B010BGWT1	Blue	428	15.20	18.00		30
Units			nm	V		mcd / seg. (digit average)	

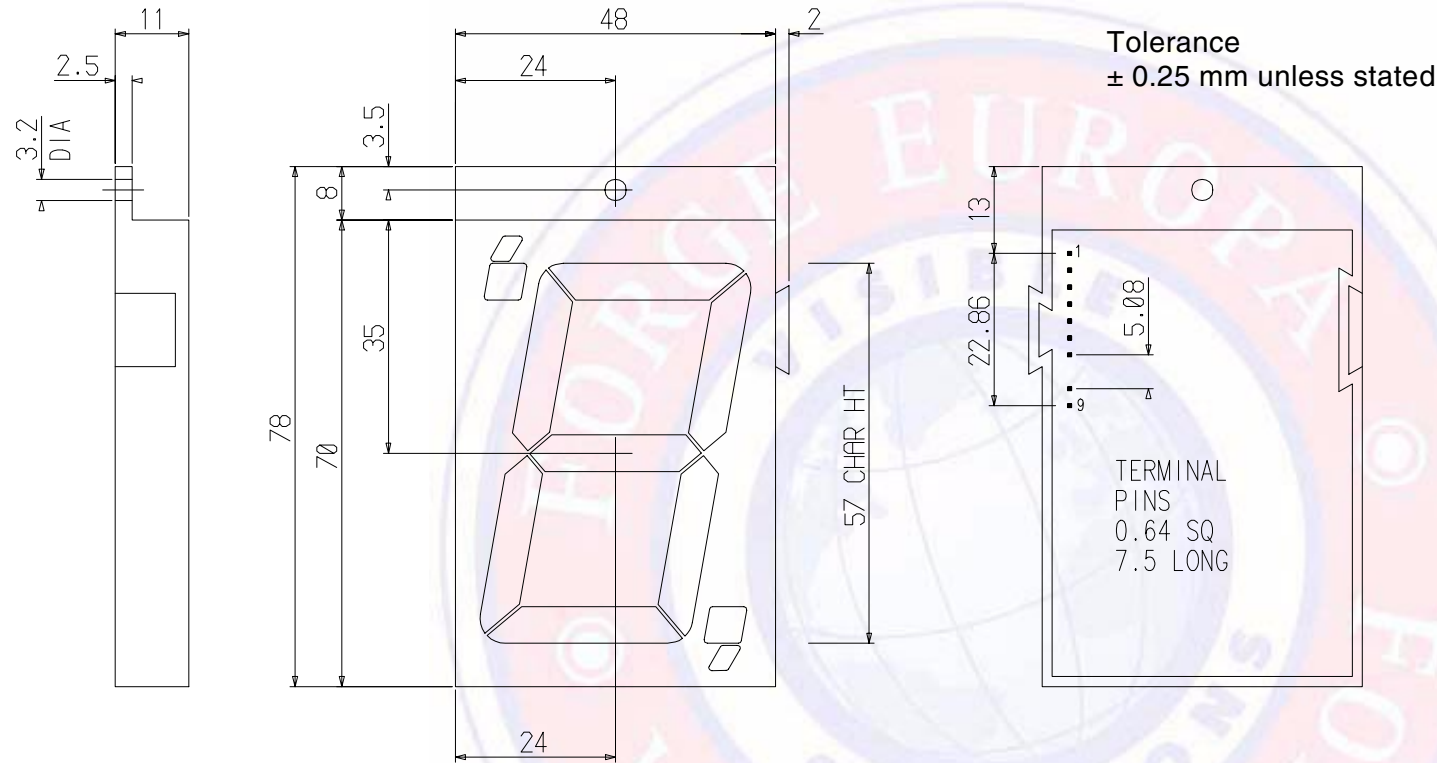
Maximum Ratings $T_a = 25^\circ \text{ C}$ (Derate above 25° C)

Characteristic	Condition	Symbol	Rating	Units
Pulse Forward Current	0.1 duty cycle @ 1KHz (HE Blue)	I_{FP}	100 (35)	mA
DC Forward Current	(HE Blue)	I_F	25 (15)	mA
Reverse Voltage	$I_R = 10 \mu\text{A}$	V_R	5	V
Operating Temperature		T_{opr}	- 25 to + 80	$^\circ \text{ C}$
Storage Temperature		T_{stg}	- 30 to + 85	$^\circ \text{ C}$
Lead soldering temperature	1.6 mm from body - max 3 seconds		260	$^\circ \text{ C}$

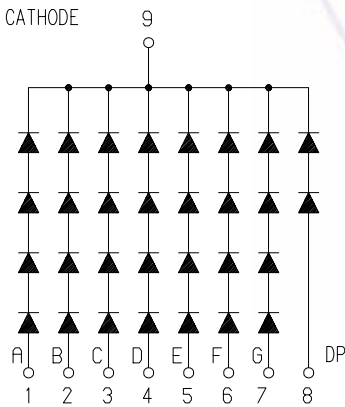
Note

Industry standard procedures regarding static must be observed when handling product produced with blue die material.

Package Outline and Diagram



COMMON CATHODE



COMMON ANODE

