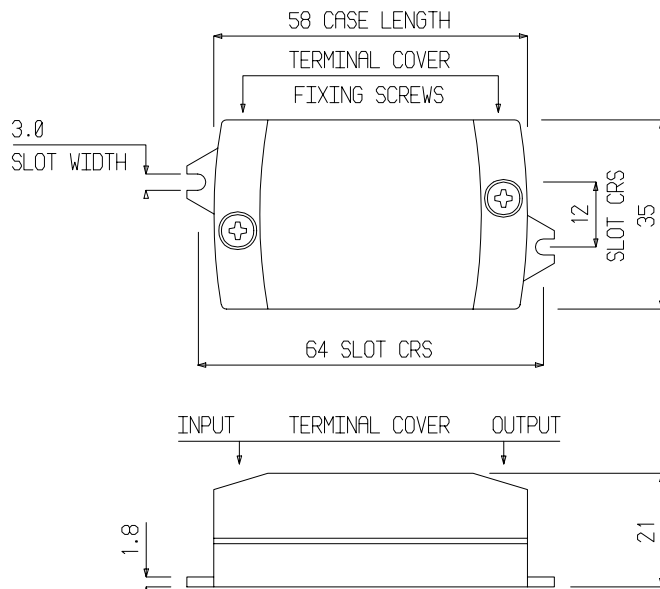


## Features

- High efficiency switch mode power supply
- Constant current or constant voltage output with automatic identification of load
- Constant current output will drive 1 to 6 LED lamps at 350 mA
- Constant voltage output 24VDC, max 300mA
- Class II protection against shock from direct or indirect contact
- Protection against over-load
- Short circuit protection
- Protection against over temperature
- Automatic resetting after fault removal
- Long life > 3 years
- Compact fully enclosed housing
- Terminal cover with cable grips
- Output switching allowable

## Package Outline



## Applications

Specifically designed to drive high power LED lamps including

- Spot lighting systems
- Architectural lighting systems
- Point of sale signs
- Display illumination

## Mechanical information

Dimensions	See package outline
Unit weight	32 g
AC input connections	Screw clamp terminals
Lamp output connections	Screw clamp terminals
Unit mounting	Two 2.5 mm screws

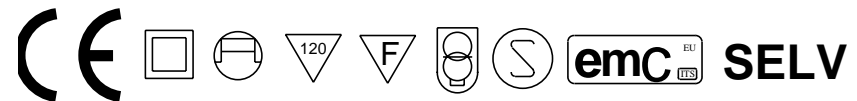
## Lamp Electrical Connections

Only LED lamps must be connected to the power driver

A minimum of one 1W LED lamp must be connected to the power driver in constant current mode (see sheet 3)

The forward voltage of the LED lamp chain must not exceed 21 VDC  
In constant voltage mode the power consumption must not exceed 300 mA (see sheet 3)

## Approvals



It is the responsibility of the customer to verify the suitability of the product for the application.

## Description

The LED Power Driver FE-LLD635024 is designed for driving Light Emitting Diode (LED) lamps from a 220 - 240 VAC supply.

The driver is a switch mode power supply design having a constant current output of 350mA or a constant voltage output of 24 VDC.

An electronic protection circuit switches off the LED Power Driver in case of the following problems:

- Short circuit
- Open circuit
- Secondary circuit overload
- Thermal overload

After faults are removed the LED Power Driver is ready for operation.

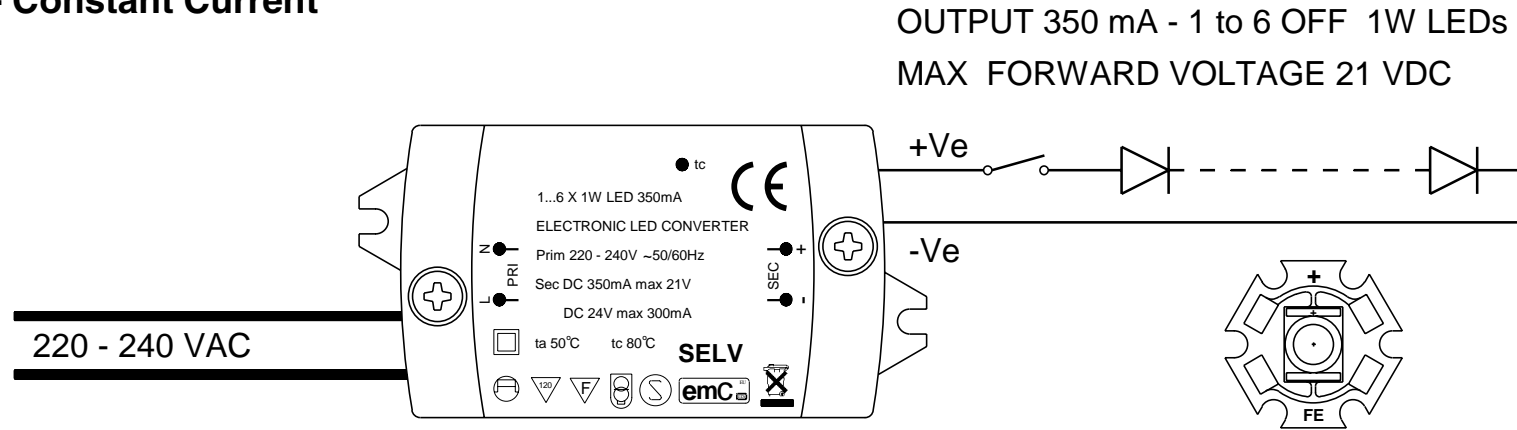
## Installation information

- The unit conforms to the following:  
2004/108/EC directive for electromagnetic compatibility  
73/23/EEC low voltage directive.
- The LED Power Driver is designed for used with LED lamps only.
- The LED Power Driver is only suitable for indoor use.
- The LED Power Driver should be prevented from over heating.
- The connected load must not fall below 1W in constant current mode.
- Wire the LED lamps to the LED Power Driver with correct polarity according to the connection diagram.
- If the LED Power Driver is used for purposes other than originally intended or is connected incorrectly no liability can be taken for possible damages caused.

## Specification

Characteristic	Condition	Symbol	Rating	Units
Input voltage range		$V_{in}$	220-240	VAC
Input frequency		f	50/60	Hz
Power output range	Constant current mode	$P_{och}$	1 min - 6 max	W
Power output	Constant voltage mode		300	mA
Constant current output	Steady state	$I_o$	350 ±10%	mA
IP Rating			IP20	
Operating ambient temperature		$T_a$	-20 to +50	°C
Storage Temperature		$T_s$	-20 to +80	°C
Case temperature		$T_c$	+75 max	°C

## Connection Diagram - Constant Current



## Connection Diagram - Constant Voltage

