

FE-LLD12500PF

12W 500mA Power Factor Corrected



forge europa

Product Features

- High efficiency switch mode power supply
- Power factor corrected
- Suitable for driving up to 24V of LED load at 500mA
- Class II protection against electric shock from direct and indirect contact
- SELV / UL 8750 Class 2 output
- Open circuit, short circuit, over-load and over temperature protection
- Automatic resetting after fault removal



Technical Data

Characteristic	Rating	Units
Input voltage range	100 - 240	VAC
Input frequency	50/60	Hz
Full Load Mains Input Current	0.20	A
Output Voltage Range	3 - 24	VDC
Output current	500 ± 10%	mA
Efficiency (at Full Load)	≥ 80%	
Power Factor (at Full Load)	0.95	
IP Rating	IP20	
Operating Temperature	-20 to +50	°C
Case Temperature, T _c	+85 max	°C

Standards

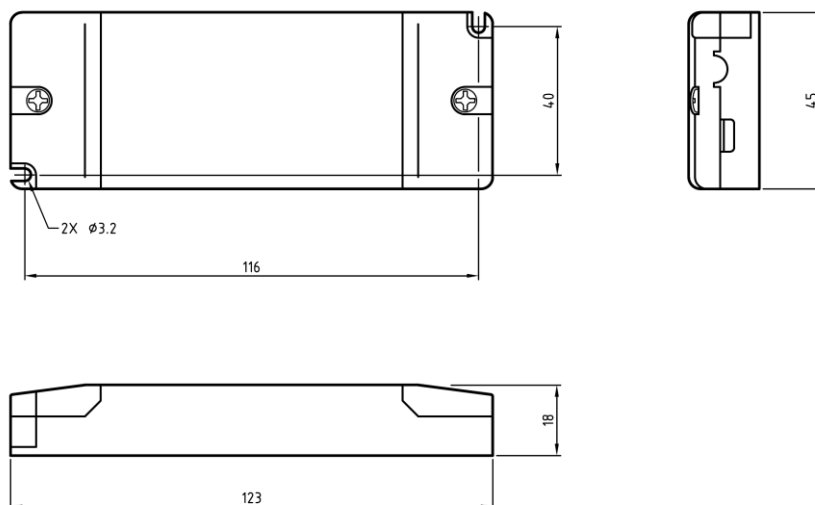
EN 61347-1
EN 61347-2-13
EN 55015
EN 61000-3-2
EN 61000-3-3
EN 61547
UL 8750 Class 2
FCC18A



WARRANTY

Wire Specification

0.5 – 0.75 mm² CSA 20/18 AWG



Dimensions in mm

