

Features:

- High segment intensity
- Wide viewing angle
- Range of colours
- Grey face colour
- White segment colour

Available options:

- Alternative face and segment colour
- Alternative font
- Long terminal pins
- Alternative emitting colour
- Low current version

Font design

Product not shown
actual size



Electro / Optical Characteristics - $I_F = 20 \text{ mA}$ (* HE Blue - $I_F = 10 \text{ mA}$) $T_a = 25^\circ \text{ C}$

Part Number Common Cathode	Part Number Common Anode	Emitting Colour	Wavelength Peak λ_p	Forward Voltage V_F		Luminous Intensity I_V	
				typical	max	min	typical
FN2-0301L0DGW	FN2-0302L0DGW	GaAlAs Red	660	1.85	2.00	-	12
FN2-030130DGW	FN2-030230DGW	HE Red	640	2.05	2.50	-	3
FN2-0301Y0530DGW	FN2-0302Y0530DGW	Yellow	591	2.05	2.40	-	18
FN2-030120DGW	FN2-030220DGW	Green	568	2.10	2.50	-	5
FN2-0301B050DGW	FN2-0302B050DGW	* HE Blue	465	3.70	4.00	-	4
FN2-0301B010DGW	FN2-0302B010DGW	Blue	428	3.80	4.50	-	2
Units			nm	V		mcd / seg. (digit average)	

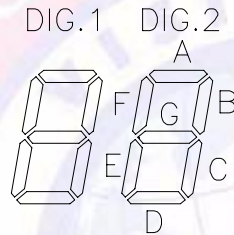
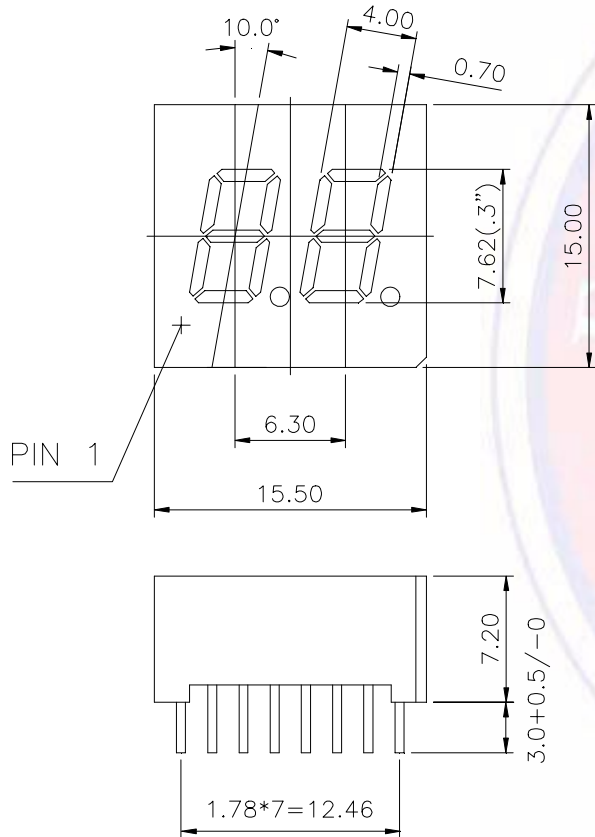
Maximum Ratings $T_a = 25^\circ \text{ C}$ (Derate above 25° C)

Characteristic	Condition	Symbol	Rating	Units
Pulse Forward Current	0.1 duty cycle @ 1KHz (HE Blue)	I_{FP}	100 (35)	mA
DC Forward Current	(HE Blue)	I_F	25 (15)	mA
Reverse Voltage	$I_R = 10 \mu\text{A}$	V_R	5	V
Operating Temperature		T_{opr}	- 25 to + 80	$^\circ \text{ C}$
Storage Temperature		T_{stg}	- 30 to + 85	$^\circ \text{ C}$
Lead soldering temperature	1.6 mm from body - max 3 seconds		260	$^\circ \text{ C}$

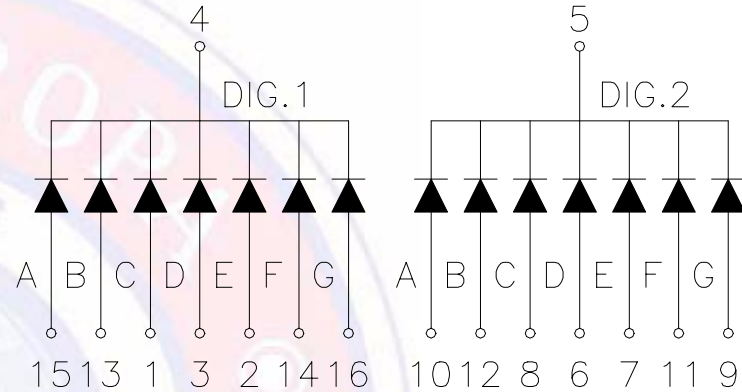
Note

Industry standard procedures regarding static must be observed when handling product produced with blue die material.

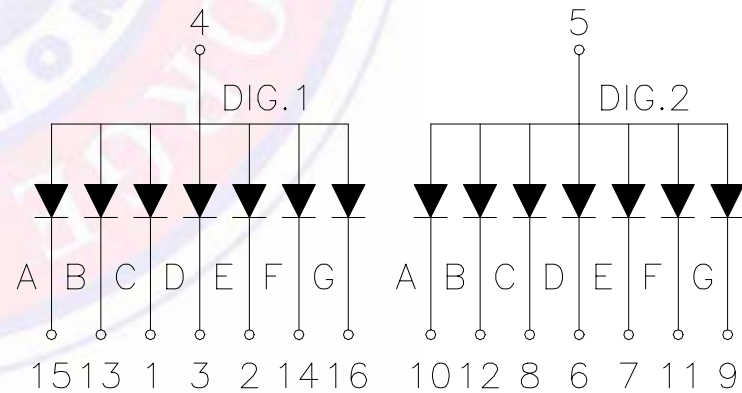
Package Outline



Common Cathode



Common Anode



Tolerance ± 0.25 mm unless stated